

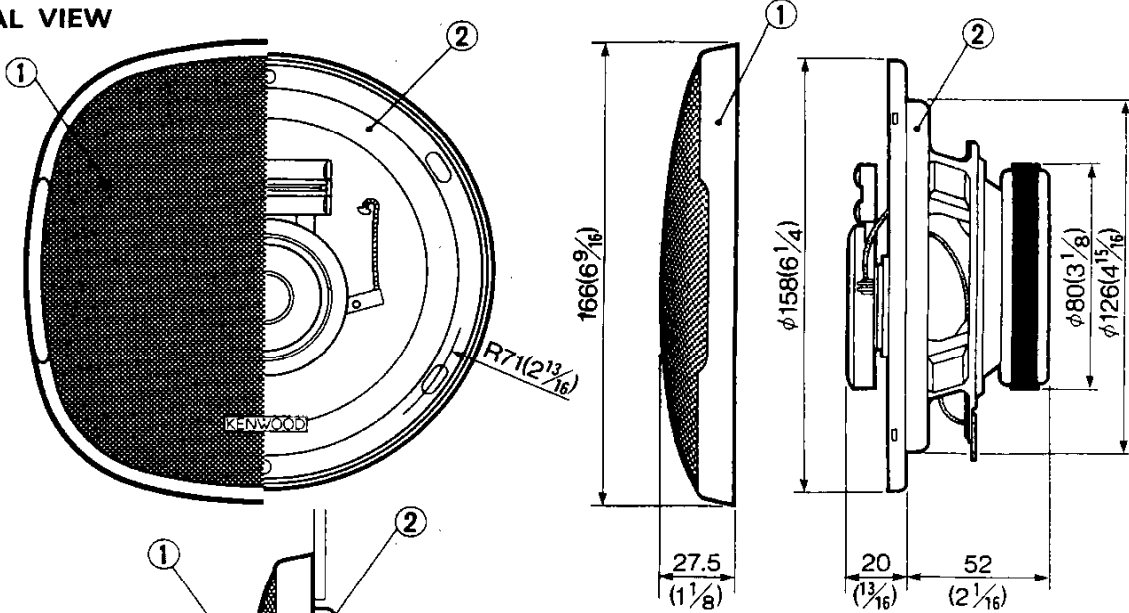
# KFC-1682

## SERVICE MANUAL

# KENWOOD

©1989-1 PRINTED IN JAPAN  
B51-3783-00(B)1314

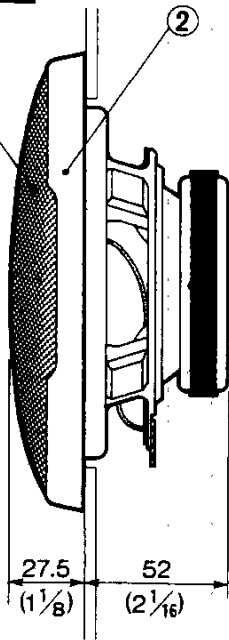
### EXTERNAL VIEW



UNIT: mm (inch)



UNIT: mm (inch)






### SPECIFICATIONS

- Speakers**
- Woofer ————— 16cm(6in) Water proof P-P cone type  
190g(6.7oz) Magnet
  - Mid-Range ————— 5cm(1 15/16in) cone type
  - Tweeter ————— Ceramic
  - Peak power ————— 110 Watts
  - Frequency Response ————— 45Hz - 21,000Hz
  - Sensitivity ————— 90dB/W at 1m
  - Impedance ————— 4 ohms
  - Weight per speaker with grille — 0.83g(1 lb 13oz)/pc

We follow a policy of advancements in development.  
For this reason specifications may be changed without notice

### PARTS INCLUDED

-  4.5m(15ft)..... × 2
-  φ4-30(3/16-1-3/16)..... × 6
-  ..... × 6

### PARTS LIST

★ New parts  
Parts without **Parts No.** are not supplied.  
Les articles non mentionnés dans le **Parts No.** ne sont pas fournis.  
Teile ohne **Parts No.** werden nicht geliefert.

Ref No.	New Parts	Parts No.	Description
①	★	B06-0316-08	FRONT GRILLE
		B46-0100-10	WARRANTY CARD
	★	E30-1181-08	CORD SET
②	★	N99-1086-08	SCREW SET
	★	T15-0123-08	SPEAKER